



Simulation

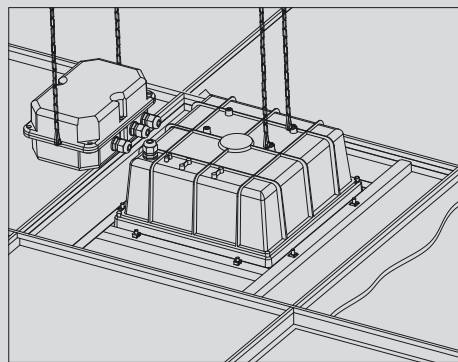
Housing: in die-cast aluminium, sandblasted silver powder coating.

Frame: in AISI 316L stainless steel.

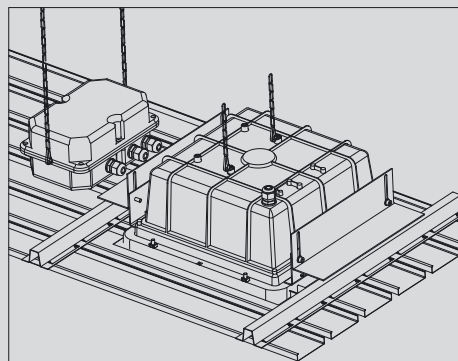
Electric gear: 230V/50Hz power supply with thermal protection. Flexible cable, terminated with quick connect tin-plated brass tips, double silicone insulation. 4P terminal block, double insulation, provision for in-out wire, maximum allowed lead cross section, 4 sq mm.

Equipment: for simple and accurate installation, the lighting fixture comes with a double insulation wire and quick connectors designed to connect the housing and the gear box. Two plates for the application of chains or safety ropes are fitted onto the housing.

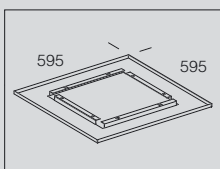
Standard supply: gear box and socket-pin connector.



Example of installation on shooks using acc. 58.
Can be used with safety steel chains or wires.



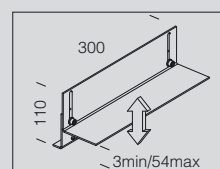
Example of installation on 600x600 panels using acc. 57.
Can be used with safety steel chains or wires.



acc. 57 panel for false ceilings

white	995728
-------	--------

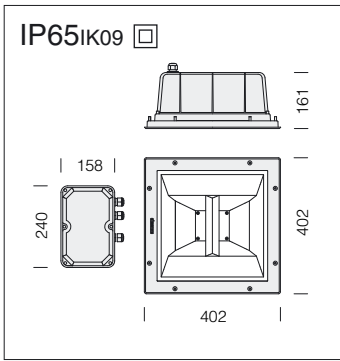
White powder coated steel panel. Suitable for installation with false ceiling panels 600x600.



acc. 58 bracket for shook

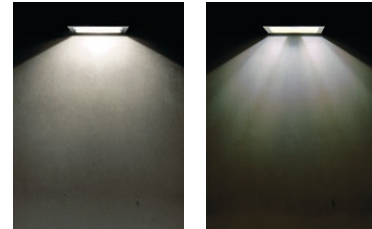
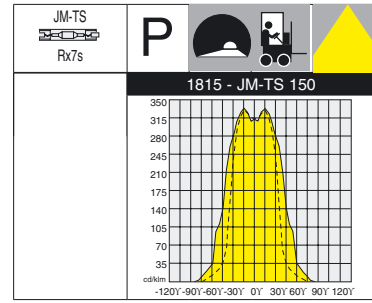
inox	995729
------	--------

In stainless steel. Suitable for 3 to 54 mm false ceilings.



Diffuser: tempered transparent glass, 12 mm thick, resistant to thermal shock and impact.

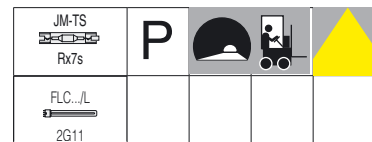
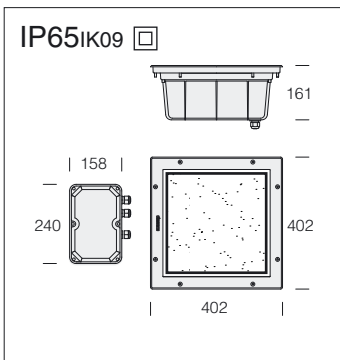
Reflector: in hammered aluminium, anodically oxidized and polished. Supplied with anti-glare shutter, which also reduces glass temperature.



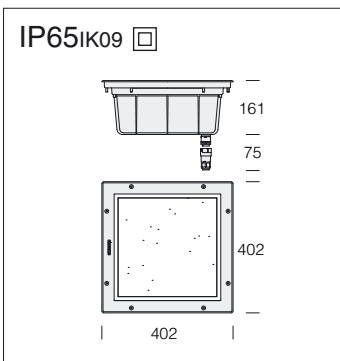
1815 Quadro - wide beam with transparent glass				
		CNRL		Lamps (Ta=25°C)
wattage	colour	weight	code	Kelvin - ølm - Ra
JM-TS 70	stainless steel	9.60	530950-00	4000K - 5700lm - Ra 1b
JM-TS 150	stainless steel	10.50	530951-00	4200K - 15000lm - Ra 1b



FLUORESCENT
WATERPROOF



1817 Quadro - wide beam with sandblasted glass				
		CNRL		Lamps (Ta=25°C)
wattage	colour	weight	code	Kelvin - ølm - Ra
JM-TS 70	inox	9.60	530960-00	4000K - 5700lm - Ra 1b
JM-TS 150	inox	10.50	530961-00	4200K - 15000lm - Ra 1b



Diffuser: tempered sandblasted glass, 12 mm thick, resistant to thermal shock and impact.

1816 Quadro - energy saving - wide beam with sandblasted glass				
		CNRL		Lamps (Ta=25°C)
wattage	colour	weight	code	Kelvin - ølm - Ra
FLC 2x18 L	stainless steel	8.20	530970-00	4000K - 1200lm - Ra 1b

Energy saving version supplied with socket and plug connector for quickly installation.

