

Mondadori S.p.A - Verona



**Housing:** made of pressed AISI 304 18/8 stainless steel, drawn in a single, piece for high mechanical resistance. Supplied with stainless steel frame.

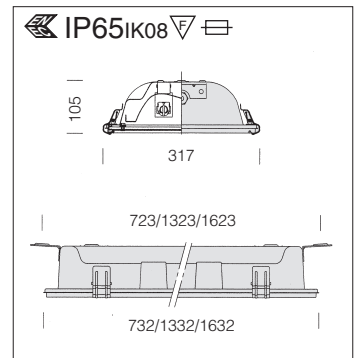
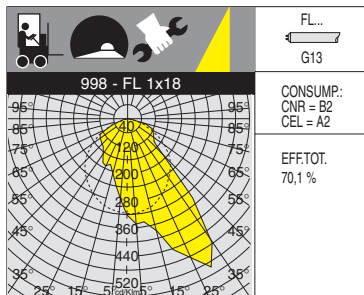
**Electric gear:** 230V/50Hz power supply. Hard wire, cross section 0.50 sqmm, and high-temperature resistant (up to 90°C) PVC-HT sheath, in accordance with CEI 20-20 standards. 2P+T terminal block with fuse holder. Maximum allowed lead cross section 2.5 sqmm.

**Equipment:** 6.5A protection fuse for art. 992-989 and 3.15A for art. 998. Environment-friendly polyurethane foam gasket (for art. 989-991) or rubber gasket (for acc.990 992-998). Fibreglass nylon cable gland, Ø 1/2 gas. Supplied with ceiling mounting brackets.

**NOTE:** upon request, versions FL 2/3x18 can be supplied with a quick plug-socket connector. Installation of fixtures providing indirect light with flat glass is not recommended for exterior application.

**Upon request:** version supplied with lamp FL Extreme (working life: 35000 h).

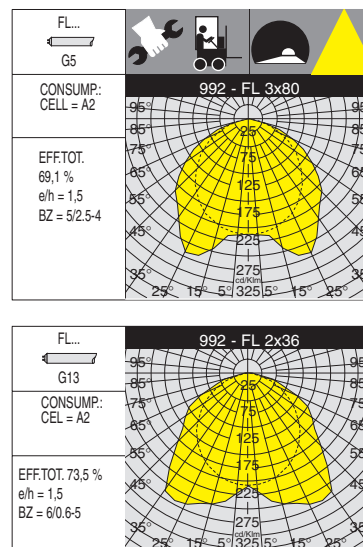
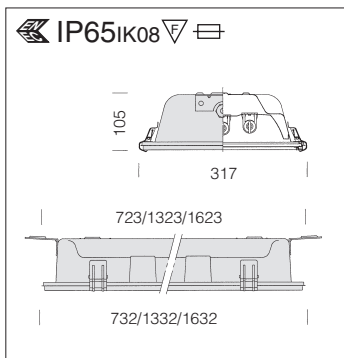
**Upon request:** supplied with T5 HO CONSTANT lamps, using the amalgam technology. At least 90% of the nominal luminous flux is achieved with temperatures ranging from 5°C to 70°C, as opposed to conventional T5 HO lamps, which send out at least 90% of the nominal luminous flux, room temperature: 25°C - 50°C.



**Reflector:** asymmetric high-gloss aluminium 99.85, large size for higher efficiency.

**998 Eterna - stainless steel + asymmetric glass/reflector**

wattage	colour	CNR-F		CEL-F		CELLF-D		CELLF-D	
		weight	code	weight	code	weight	code	weight	code
FL 1x18	natural	6.50	162450-00	6.30	162420-00	6.30	162420-52		
FL 1x36	natural	11.00	162451-00	10.60	162421-00	10.60	162421-52		
FL 1x58	natural	15.10	162452-00	14.70	162422-00	14.70	162422-52		
FL 1x49	natural			10.80	162453-00			10.90	162453-52
FL 1x80	natural			14.90	162454-00			15.00	162454-52



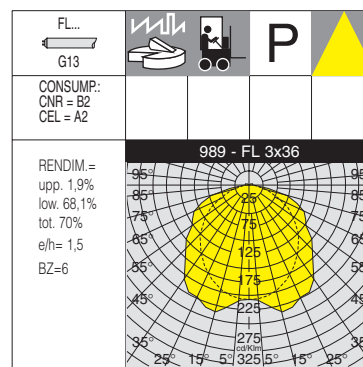
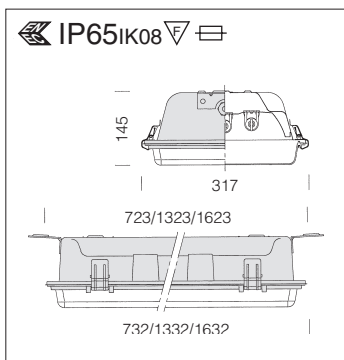
**Reflector:** Symmetric high-gloss aluminium 99.85, large size for higher efficiency.

**Diffuser:** 5-mm thick tempered glass. Complete with "T5", high performance, high luminous efficiency, energy saving lamps.

**992 Eterna - stainless steel + glass**

		CELL-F		CNR-F		CEL-F		CNR-F-E	
wattage	colour	weight	code	weight	code	weight	code	weight	code
FL 2x80	natural	11.00	162337-00						
FL 3x80	natural	12.00	162338-00						
FL 2x18	natural			6.90	162341-00	6.70	162331-00		
FL 2x36	natural			11.80	162342-00	11.40	162332-00	12.50	162382-00
FL 2x58	natural			15.90	162343-00	15.50	162333-00	16.60	162383-00
FL 3x18	natural			8.00	162344-00				
FL 3x36	natural			12.90	162345-00	12.30	162335-00	13.40	162385-00
FL 3x58	natural			17.20	162346-00	16.50	162336-00	17.60	162386-00

On request: steel AISI 316L housing.



**Diffuser:** injection moulded, UV-stabilised, clear self-extinguishing V2 polycarbonate; prismatic inside for better light control. The smooth outside finish facilitates cleaning, essential to ensure maximum lighting efficiency.

**989 Eterna - stainless steel + polycarbonate**

		CNR-F		CEL-F		CNR-F-E		Auto-diagnosis	
wattage	colour	weight	code	weight	code	weight	code	weight	code
FL 2x18	natural	6.90	162361-00	6.70	162361-08				
FL 2x36	natural	11.80	162362-00	11.40	162362-08	12.50	162362-07	12.50	162362-0766
FL 2x58	natural	15.90	162363-00	15.50	162363-08	16.60	162363-07	16.60	162363-0766
FL 3x18	natural	8.00	162364-00						
FL 3x36	natural	12.90	162365-00	12.30	162365-08	13.40	162365-07	13.40	162365-0766
FL 3x58	natural	17.20	162366-00	17.00	162366-08	17.60	162366-07	17.60	162366-0766



FLUORESCENT WATERPROOF