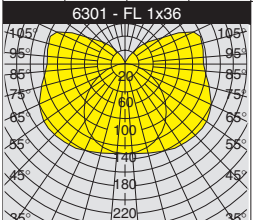


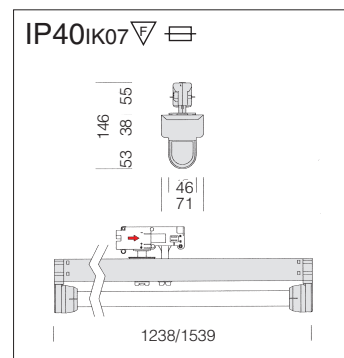
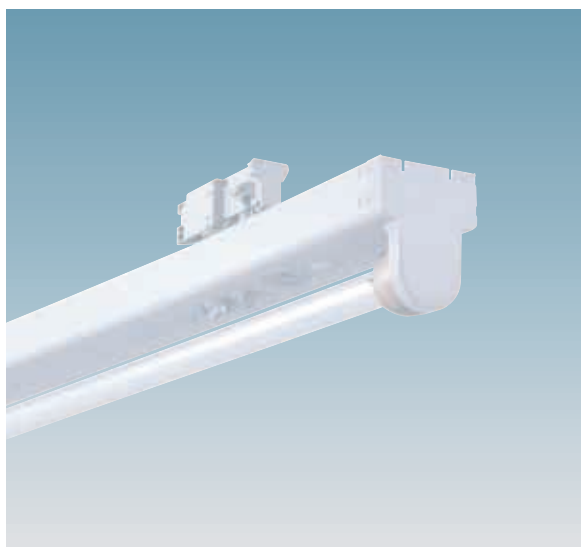
FL...
G13

CONSUMP:
CNR = B2
CEL = A2

6301 - FL 1x36








EFF.TOT.=
upp. 25%
low. 63.4%
tot. 88.5%
e/h= 1,5
BZ= 8

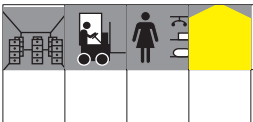


Fixture housing: galvanised steel previously stove-enamelled with UV-stabilised white polyester resin; rounded edges profile to eliminate sharp edges; polycarbonate end caps.

6301 Elesystem T8									
		CNR-F		CEL-F		CNR-E		CEL-E	
wattage	colour	weight	code	weight	code	weight	code	weight	code
FL 1x36	white	2.10	237820-00	1.65	237820-08	2.80	237820-07	2.30	237820-09
FL 1x58	white	2.40	237821-00	1.90	237821-08	3.05	237821-07	2.60	237821-09

Emergency version: In maintained version. In the event of a black-out, one lamp connected to the back-up circuit stays on. Run time 60 minutes (see chapter). On request: A "Main Control System" to supervise the emergency versions (see chapter). On request: version with 3 hour emergency duration; with dimmerable electronic ballast and RAL 7001 grey track.

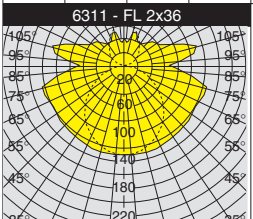








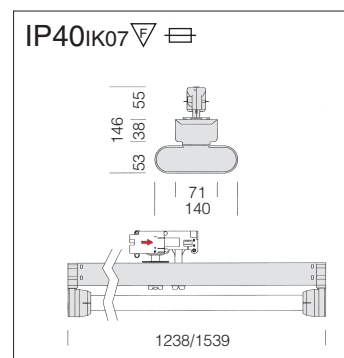
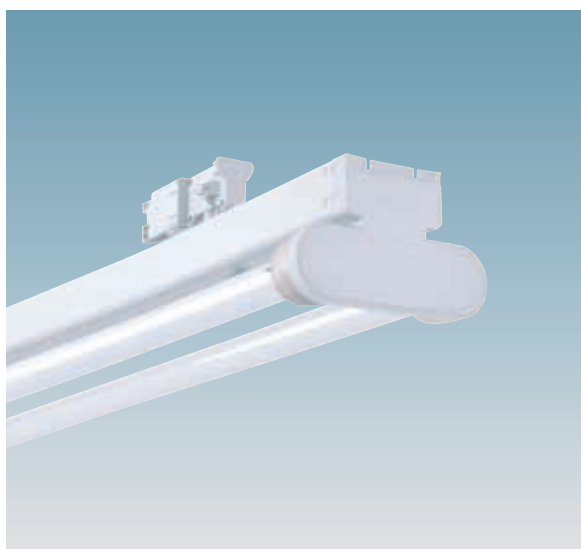
FL...
G13

CONSUMP:
CNR = B2
CEL = A2

6311 - FL 2x36



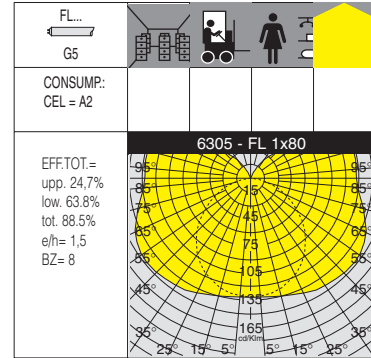
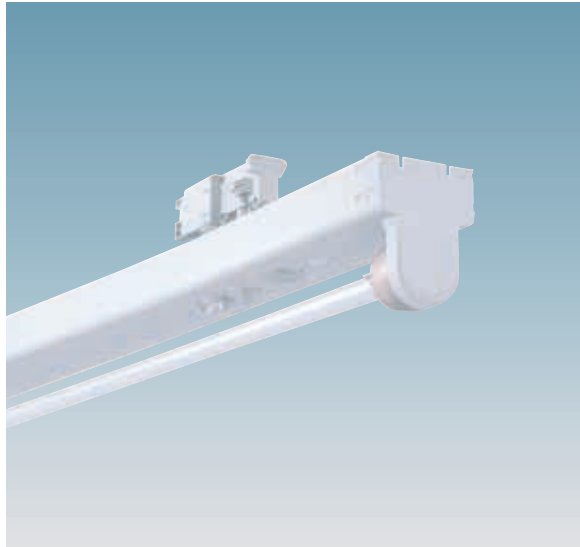
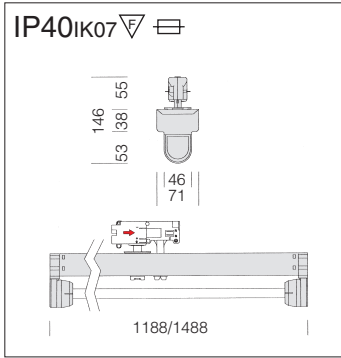
EFF.TOT.=
upp. 27.8%
low. 55.8%
tot. 83.6%
e/h= 1,5
BZ= 8



Fixture housing: galvanised steel previously stove-enamelled with UV-stabilised white polyester resin; rounded edges profile to eliminate sharp edges; polycarbonate end caps.

6311 Elesystem T8									
		CNR-F		CEL-F		CNR-E		CEL-E	
wattage	colour	weight	code	weight	code	weight	code	weight	code
FL 2x36	white	3.10	237830-00	1.80	237830-08	3.80	237830-07		
FL 2x58	white	3.35	237831-00	2.05	237831-08	4.05	237831-07	2.75	237831-09

Emergency version: In maintained version. In the event of a black-out, one lamp connected to the back-up circuit stays on. Run time 60 minutes (see chapter). On request: A "Main Control System" to supervise the emergency versions (see chapter). On request: version with 3 hour emergency duration; with dimmerable electronic ballast and RAL 7001 grey track.

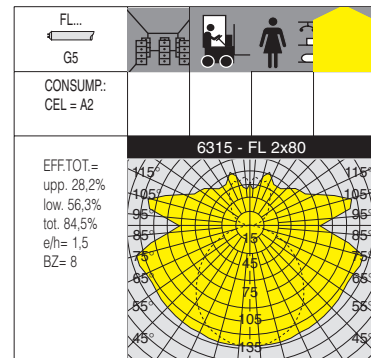
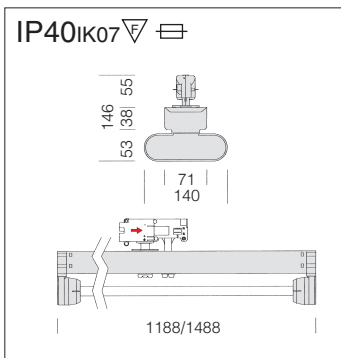


Fixture housing: galvanised steel previously stove-enamelled with UV-stabilised white polyester resin; rounded edges profile to eliminate sharp edges; polycarbonate end caps.

Standard supply: Nylon fastening pawl and adaptor for power connection with protective 3.15A protection fuse.

6305 Elesystem T5							
		CEL-F		CEL-F-E		CEL-F-D	
wattage	colour	weight	code	weight	code	weight	code
FL 1x28	white	1.65	237920-00	2.30	237920-09	2.00	237920-52
FL 1x35	white	1.85	237921-00	2.65	237921-09	2.30	237921-52
FL 1x49	white	1.85	237922-00	2.60	237922-09	2.30	237922-52
FL 1x54	white	1.60	237923-00	2.30	237923-09	2.00	237923-52
FL 1x80	white	1.85	237924-00	2.65	237924-09	2.30	237924-52

Emergency version: In maintained version. In the event of a black-out, one lamp connected to the back-up circuit stays on. Run time 60 minutes (see chapter). On request: A "Main Control System" to supervise the emergency versions (see chapter). On request: version with 3 hour emergency duration and RAL 7001 grey track.

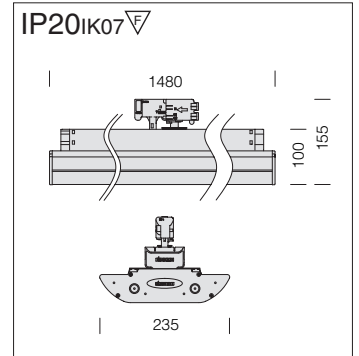
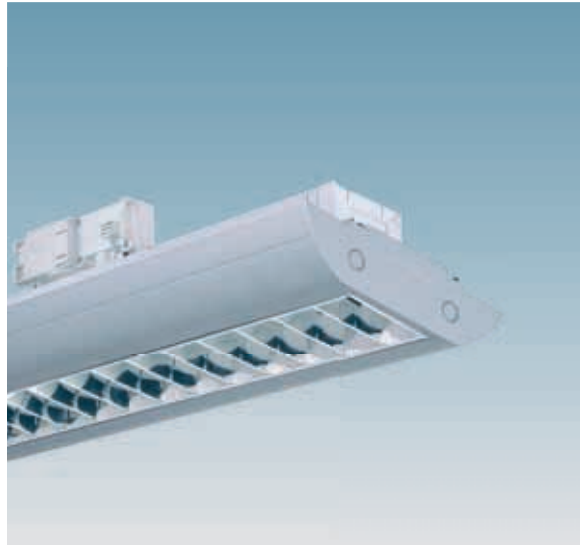
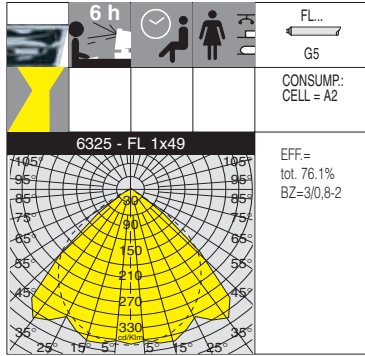


Fixture housing: galvanised steel previously stove-enamelled with UV-stabilised white polyester resin; rounded edges profile to eliminate sharp edges; polycarbonate end caps.



6315 Elesystem T5							
		CEL-F		CEL-F-E		CEL-F-D	
wattage	colour	weight	code	weight	code	weight	code
FL 2x28	white	1.80	237930-00	2.45	237930-09	2.45	237930-52
FL 2x35	white	2.00	237931-00	2.80	237931-09	2.80	237931-52
FL 2x49	white	2.00	237932-00	2.80	237932-09	2.80	237932-52
FL 2x54	white	1.80	237933-00	2.50	237933-09	2.45	237933-52
FL 2x80	white	2.00	237934-00	2.80	237934-09	2.80	237934-52

Emergency version: In maintained version. In the event of a black-out, one lamp connected to the back-up circuit stays on. Run time 60 minutes (see chapter). On request: A "Main Control System" to supervise the emergency versions (see chapter). On request: version with 3 hour emergency duration and RAL 7001 grey track.



Housing: Extruded aluminium with die-cast end caps.

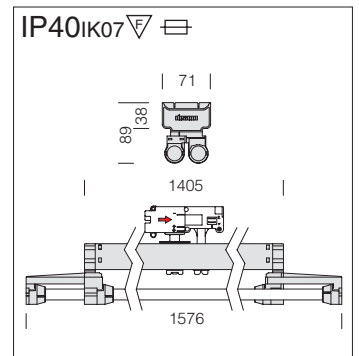
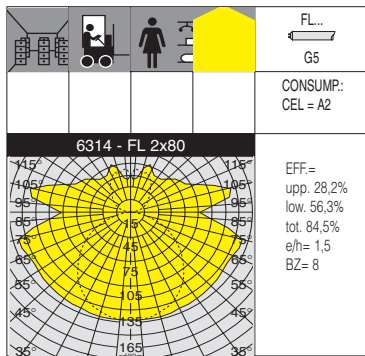
Darklight Fixtures: Longitudinal and transversal double parabolic dark-light fixtures built from high reflection, anti-glare, anti-iridescence, very low luminance aluminium, with PDV multilayer treatment (Physical vacuum Deposition).

Coating: Powder-coated with UV-stabilised polyester paint.

Standard features: Optics with snap fastening, which remain hooked on, hanging by nylon cords.

6325 Elesystem T5						
		CELL-F		CELL-D		Lamps
wattage	colour	weight	code	weight	code	
FL 1x49	s. silver	8.00	237439-00	8.00	237439-52	4000K - 4300lm
FL 2x49	s. silver	8.20	237441-00	8.20	237441-52	4000K - 4300lm

Recent international standards introduce new developments concerning low luminance. European standard EN 12464 for the lighting of indoor workplaces, prescribes luminance limits for angles comprised between 65° and 85° in rooms where computer monitors are to be used.
Ideal for installation in shopping areas, to light checkout points.



Fixture housing: galvanised steel previously stove-enamelled with UV-stabilised white polyester resin; rounded edges profile to eliminate sharp edges; polycarbonate end caps.

6314 Elesystem - all light						
		CEL-F		CEL-F-E		Lamps
wattage	colour	weight	code	weight	code	
FL 2x35	white	8.00	237950-00			4000K - 3300lm
FL 2x80	white	8.00	237951-00	8.70	237951-07	4000K - 6150lm