

**Housing:** in extruded aluminium, with die-cast aluminium end caps, and clear Plexiglas micro-grooved diffuser, smooth outside, dust-proof.

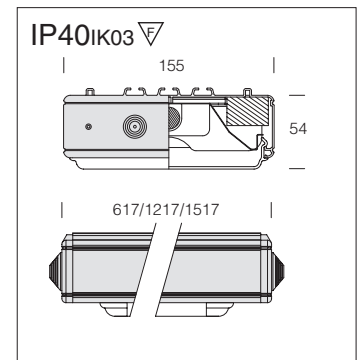
**Reflector:** In high-gloss aluminium.

**Coating:** metallic silver or polished white polyester resin powder coating, resistant to corrosion and to saline environments.

**Electric gear:** power supply 230-240V/-50/60Hz.

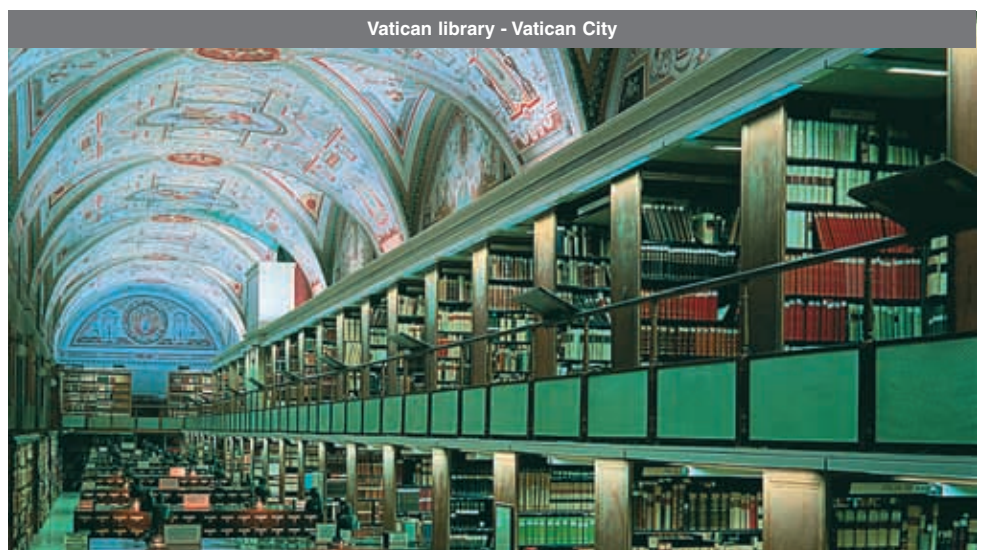
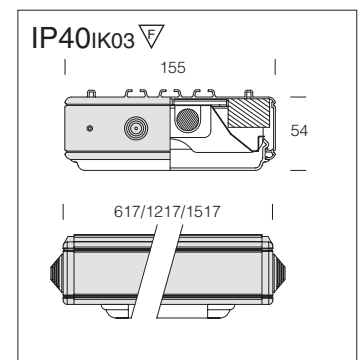
3084 Top - one-lamp with diffuser							
		CELL		CELL-E		CELL-D	
wattage	colour	weight	code	weight	code	weight	code
FL 1x14	s. silver	2.10	144690-00				
FL 1x14	white	2.10	144694-00				
FL 1x28	s. silver	3.50	144691-00	4.60	144691-07	4.00	144691-52
FL 1x28	white	3.50	144695-00	4.60	144695-07	4.00	144695-52
FL 1x49	s. silver	4.10	144693-00	4.80	144693-07	4.60	144693-52
FL 1x49	white	4.10	144697-00	4.80	144697-07	4.60	144697-52

With clear Plexiglas micro-grooved diffuser, smooth outside, dust-proof.



3085 Top - two-lamps with diffuser							
		CELL		CELL-E		CELL-D	
wattage	colour	weight	code	weight	code	weight	code
FL 2x14	s. silver	3.00	144660-00				
FL 2x14	white	3.00	144664-00				
FL 2x28	s. silver	3.60	144661-00	4.30	144661-07	4.10	144661-52
FL 2x28	white	3.60	144665-00	4.30	144665-07	4.10	144665-52
FL 2x49	s. silver	4.30	144663-00	5.00	144663-07	4.80	144663-52
FL 2x49	white	4.30	144667-00	5.00	144667-07	4.80	144667-52

With clear Plexiglas micro-grooved diffuser, smooth outside, dust-proof.

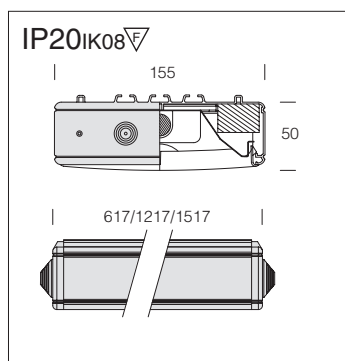
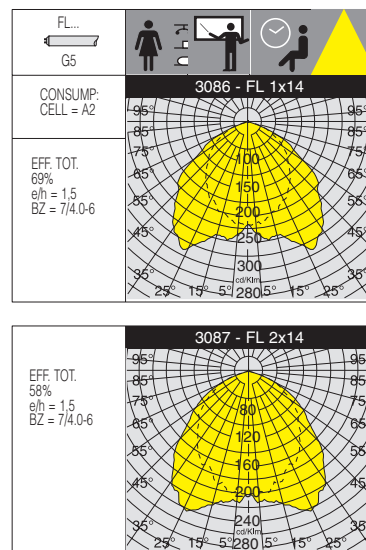


**Housing:** in extruded aluminium, with die-cast aluminium end caps. Supplied with louvre in ABS V0, frosted metal spray treatment.

**Reflector:** In high-gloss aluminium.

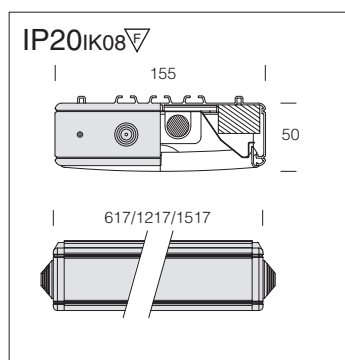
**Coating:** metallic silver or polished white polyester resin powder coating, resistant to corrosion and to saline environments.

**Electric gear:** power supply 230-240V/-50/60Hz.



3086 Top - one-lamp with louvre							
		CELL		CELL-E		CELL-D	
wattage	colour	weight	code	weight	code	weight	code
FL 1x14	s. silver	2.00	144670-00				
FL 1x14	white	2.00	144674-00				
FL 1x28	s. silver	3.20	144671-00	3.90	144671-07	4.40	144671-52
FL 1x28	white	3.20	144675-00	3.90	144675-07	4.40	144675-52
FL 1x49	s. silver	3.80	144673-00	4.50	144673-07	4.90	144673-52
FL 1x49	white	3.80	144677-00	4.50	144677-07	4.90	144677-52

Supplied with louvre in ABS V0, frosted metal spray treatment.



3087 Top - two-lamps with louvre							
		CELL		CELL-E		CELL-D	
wattage	colour	weight	code	weight	code	weight	code
FL 2x14	s. silver	2.10	144680-00				
FL 2x14	white	2.10	144684-00				
FL 2x28	s. silver	3.40	144681-00	4.60	144681-07	3.90	144681-52
FL 2x28	white	3.40	144685-00	4.60	144685-07	3.90	144685-52
FL 2x49	s. silver	4.00	144683-00	5.20	144683-07	4.50	144683-52
FL 2x49	white	4.00	144687-00	5.20	144687-07	4.50	144687-52

Supplied with louvre in ABS V0, frosted metal spray treatment.



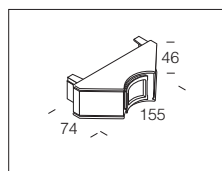
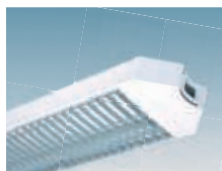
S. Elia Hospital- Caltanissetta



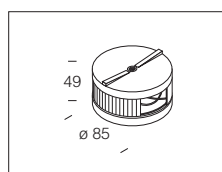
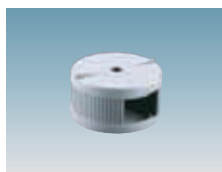
Assago (Milan)

**acc. 2059 joint end-cap**

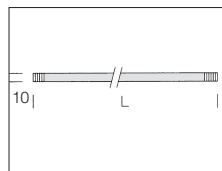
m. silver	144723
white	144724
Made of die-cast aluminium. To be used with universal joint acc. 2018 or with acc. 2021.	

**acc. 2018 universal joint**

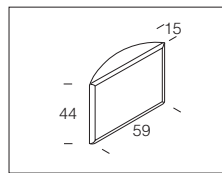
m. silver	144521
white	144522
For suspension using $\varnothing$ 10 rods or cable with adjustment device, and for connection and rotation between modules.	

**rods  $\varnothing$ 10**

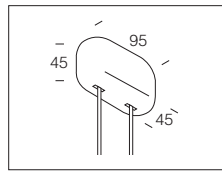
L= 50	990811
L=100	990816
Threaded at both ends. For suspension of acc. 2018.	

**acc. 2021 end cap**

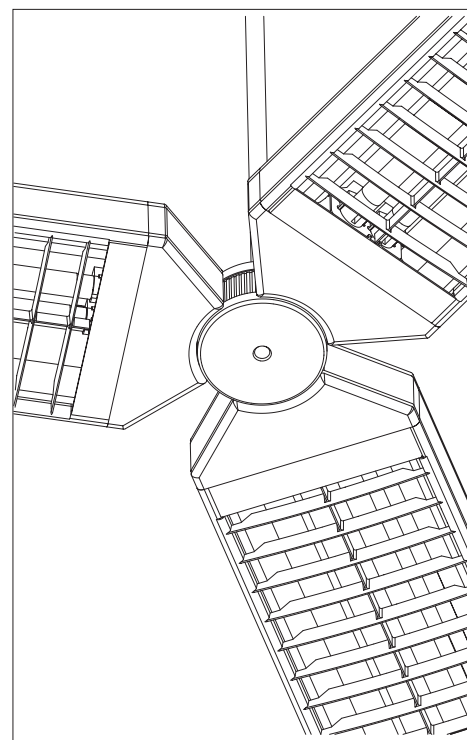
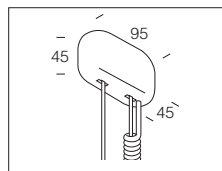
m. silver	144712
white	144713
Made of die-cast aluminium. To plug acc. 2059 at the end of the last module in the line.	

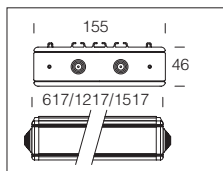
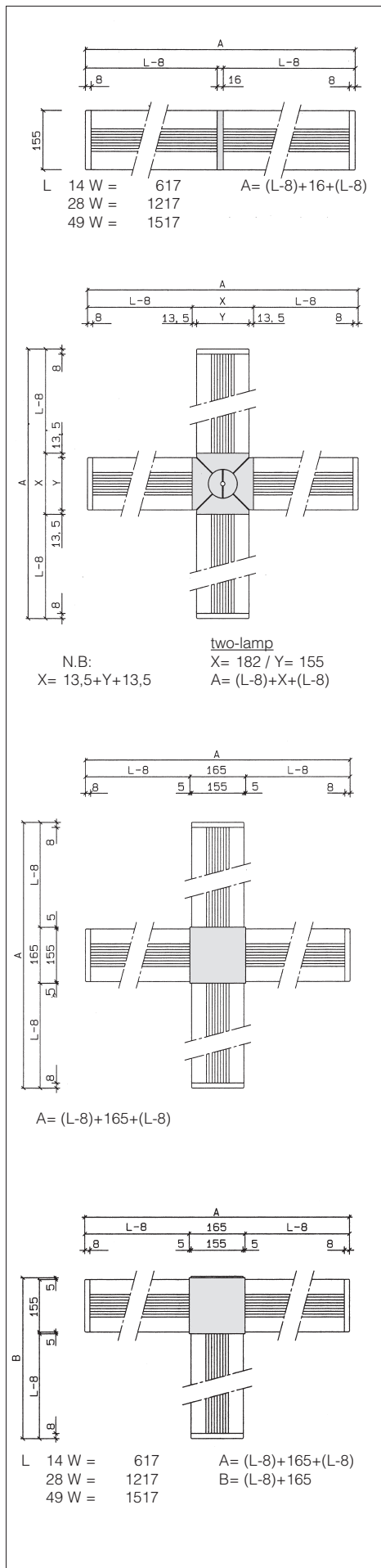
**acc. 2057 two-lamps suspension**

white	993905
black	993903
Suspension with $\varnothing$ 1.5 mm, 1.5 m long steel wire and fibreglass nylon ceiling rose. Max load: kg 20.	

**acc. 2058 electrified two-lamps**

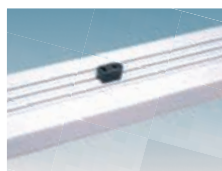
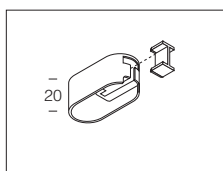
white	993906
black	993904
Adjustable with $\varnothing$ 1.5 mm steel cable (L = 1.5 m) and ceiling rose; power cable (max 2000W). Max load: 20 kg.	





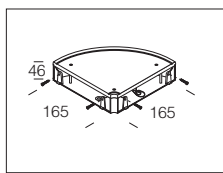
acc. 3084 structural	
14 m. silver	144602
14 white	144603
28 m. silver	144605
28 white	144606
49 arg. m.	144608
49 white	144609

Supplied with cover, steel brackets and end cap.



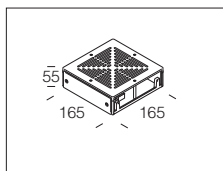
acc. 2017 ceiling mounting unit	
black	993902

Fibreglass nylon with zamak support. For direct ceiling installation.  
**2 per pack.**



acc. 2051 angle joint	
m. silver	144716
white	144718

Made of die-cast aluminium. For L-shaped jointing.



acc. 2053 cross joint	
m. silver	144721
white	144722

Made of die-cast aluminium. For 2-, 3- and 4-way jointing.