

Housing: Steel with plastic end caps.

Cover for indirect lighting: In vandal resistant and V2 self-extinguishing polycarbonate.

Darklight Fixtures: Dark light double parabolic louvers, in high-gloss plated aluminium 99.99. Anti-glare and anti-iridescence, very low luminance. PVD treatment to increase light efficiency.

Coating: Powder-coated with UV-stabilised polyester paint.

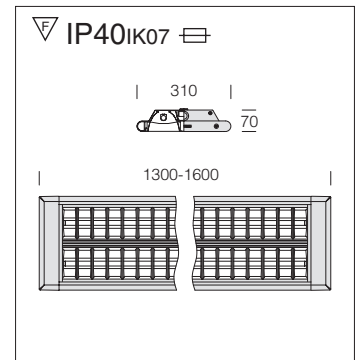
Electric gear: 230-240V/50/60Hz power supply

Standard features: Optics with snap fastening, which remain hooked on, hanging by nylon cords.

Equipment: 3.15° protection fuse.

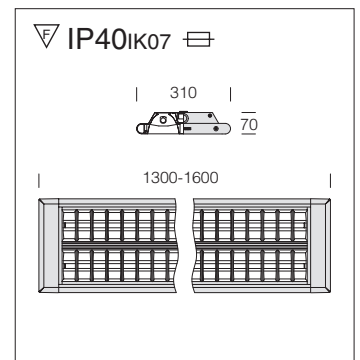
3840 Plasma - T5 - only direct light - high-gloss optical 99,99							
		CELL-F		CELLF-E		CELLF-D	
wattage	colour	weight	code	weight	code	weight	code
FL 2x54	s. silver	6.10	145612-00	6.70	145612-07	6.60	145612-52
FL 2x35	s. silver	7.40	145611-00	8.00	145611-07	7.90	145611-52
FL 2x80	s. silver	7.40	145613-00	8.00	145613-07	7.90	145613-52

Other versions: Main control System (refer chapter).



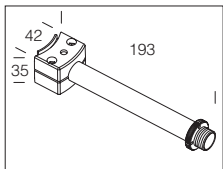
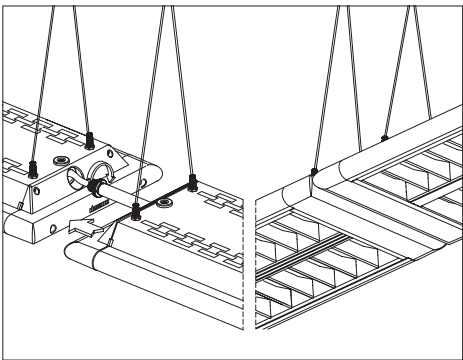
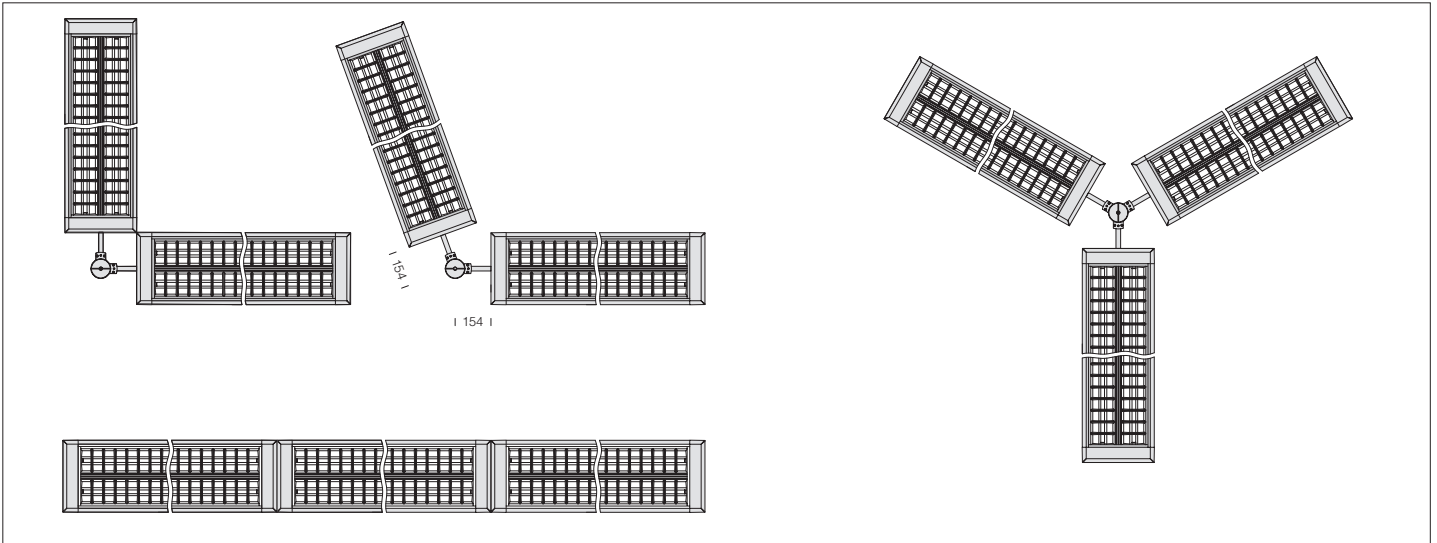
3842 Plasma - T5 - dir / indir light - high-gloss optical 99,99							
		CELL-F		CELLF-E		CELLF-D	
wattage	colour	weight	code	weight	code	weight	code
FL 2x54	s. silver	6.20	145712-00	6.80	145712-07	6.70	145712-52
FL 2x35	s. silver	7.50	145711-00	8.20	145711-07	7.90	145711-52
FL 2x80	s. silver	7.50	145713-00	8.20	145713-07	9.90	145713-52

Other versions: Main control System (refer chapter).

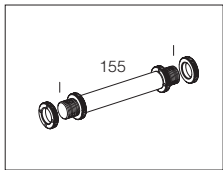


Emergency version: In maintained version. In the event of a black-out a single lamp connected to the back-up circuit stays on. Run time 60 minutes (see chapter). On request: version with 3 hour emergency duration.

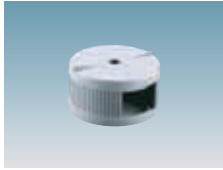
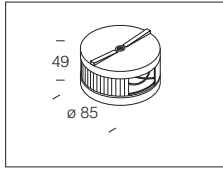
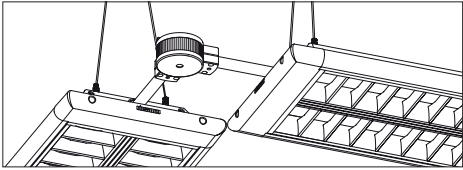
T5 Lamps: Supplied with 4000K high performance, high luminous efficiency, energy saving T5 lamps (16mm).



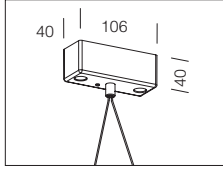
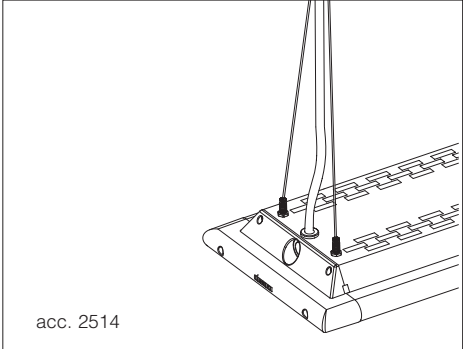
acc. 362 joint	
s. silver	145651
To connect modules. Use with acc. 2018.	



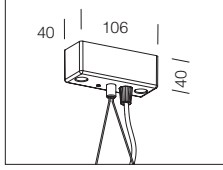
acc. 361 linear joint	
s. silver	145650
For linear installation.	



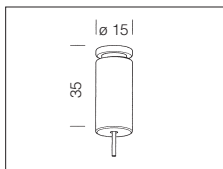
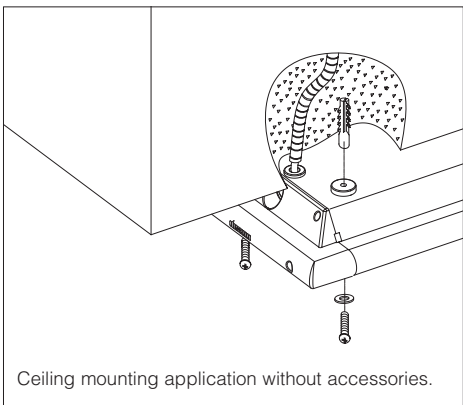
acc. 2018 universal joint	
s. silver	144521
For suspension using Ø 10 rods or cable with adjustment device, and for connection and rotation between modules. Use with acc. 362.	



acc. 2515 suspension	
m. silver	993908
Suspension supplied with steel wire, 200 cm long with millimetric adjustment. Max load: 20 kg.	



acc. 2516 powered suspension	
m. silver	993910
Suspension supplied with steel wire, 200 cm long with millimetric adjustment and power cable. Max load 20 kg.	



acc. 2518 simple suspension	
galvanised	994019
Suspension unit including steel cable, l.= 1.75m., with millimetre adjustment. Max load: 20 kgb.	

Ceiling mounting application without accessories.