

Housing: Extruded aluminium with die-cast end caps. Complete with suspended cable.

Diffuser: In transparent plexiglass. The smooth external finish facilitates cleaning operations to guarantee high luminous efficiency.

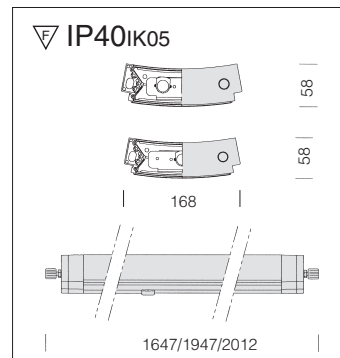
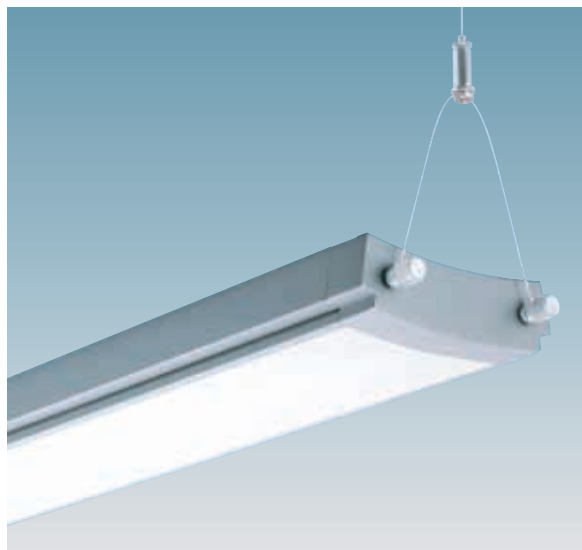
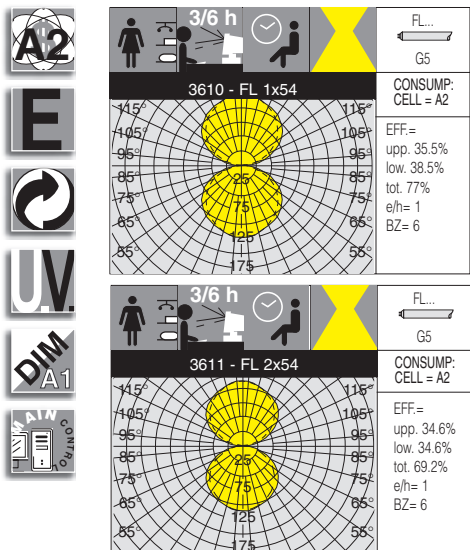
Coating: Powder-coated with UV-stabilised polyester paint.

Electric gear: 230-240V/-50-60Hz power supply

T5 Lamps: Supplied with 4000K high performance, high luminous efficiency, energy saving T5 lamps (16mm)

Emergency version: In maintained version. In the event of a black-out a single lamp connected to the back-up circuit stays on. Run time 60 minutes. Diagram (see chapter).

On request: A "Main Control System" to supervise the emergency versions (see chapter) and versions with 3 hour emergency duration.



- 3610 =** 54W = 1647 x 168
80W = 1947 x 168
- 3611 =** 54W = 1647 x 168
80W = 2012 x 168

3610 Arco - T5 - single one-lamp								
		CELL		CELL-D		CELL - continuous line		Lamp (Ta=25°C)
wattage	colour	weight	code	weight	code	weight	code	Kelvin - ølm - Ra
FL 1x54	m. silver	2.50	145322-00	2.70	145322-52	2.30	145322-0072	4000K - 4450lm - Ra 1b
FL 1x80	m. silver	3.00	145323-00	3.20	145323-52	2.80	145323-0072	4000K - 6150lm - Ra 1b
FL 1x54	white	2.50	145327-00	2.70	145327-52	2.30	145327-0072	4000K - 4450lm - Ra 1b
FL 1x80	white	3.00	145328-00	3.20	145328-52	2.80	145328-0072	4000K - 6150lm - Ra 1b

N.B.: order the ceiling fittings with sub-code -0072 if used in a continuous line arrangement with accessory 358.

3611 Arco - T5 - single two-lamps								
		CELL		CELL-D		CELL - continuous line		Lamp (Ta=25°C)
wattage	colour	weight	code	weight	code	weight	code	Kelvin - ølm - Ra
FL 2x54	m. silver	3.50	145332-00	3.70	145332-52	3.30	145332-0072	4000K - 4450lm - Ra 1b
FL 2x80	m. silver	4.00	145333-00	4.20	145333-52	3.80	145333-0072	4000K - 6150lm - Ra 1b
FL 2x54	white	3.50	145337-00	3.70	145337-52	3.30	145337-0072	4000K - 4450lm - Ra 1b
FL 2x80	white	4.00	145338-00	4.20	145338-52	3.80	145338-0072	4000K - 6150lm - Ra 1b

N.B.: order the ceiling fittings with sub-code -0072 if used in a continuous line arrangement with accessory 358.



Direct/indirect light: can be used in environments with ceilings which are to be enhanced.



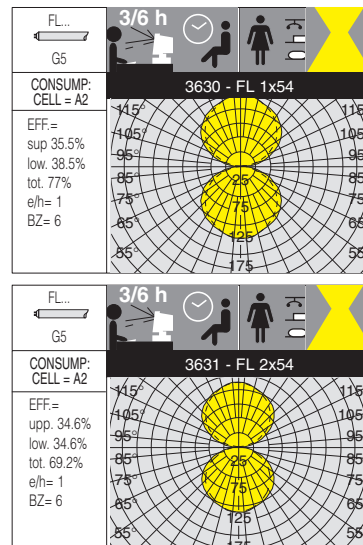
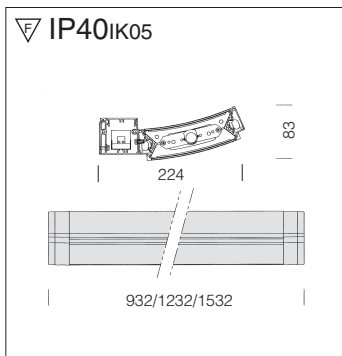
Direct light: everywhere



Indirect light: suitable at computer terminals

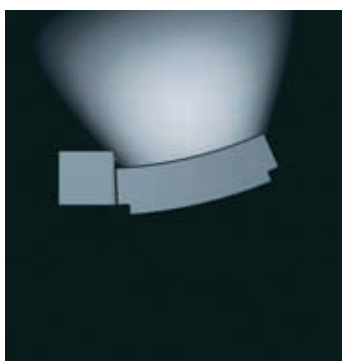


Direct/indirect light: can be used in environments with ceilings which are to be enhanced.



3630 Arco - T5 - wall version single one-lamp						
		CELL		CELL-D		Lamp (Ta=25°C)
wattage	colour	weight	code	weight	code	Kelvin - ølm - Ra
FL 1x39	m. silver	3.00	145522-00	3.20	145522-52	4000K - 3100lm - Ra 1b
FL 1x54	m. silver	3.50	145523-00	3.70	145523-52	4000K - 4450lm - Ra 1b
FL 1x80	m. silver	4.00	145524-00	4.20	145524-52	4000K - 6150lm - Ra 1b
FL 1x39	white	3.00	145526-00	3.20	145526-52	4000K - 3100lm - Ra 1b
FL 1x54	white	3.50	145527-00	3.70	145527-52	4000K - 4450lm - Ra 1b
FL 1x80	white	4.00	145528-00	4.20	145528-52	4000K - 6150lm - Ra 1b

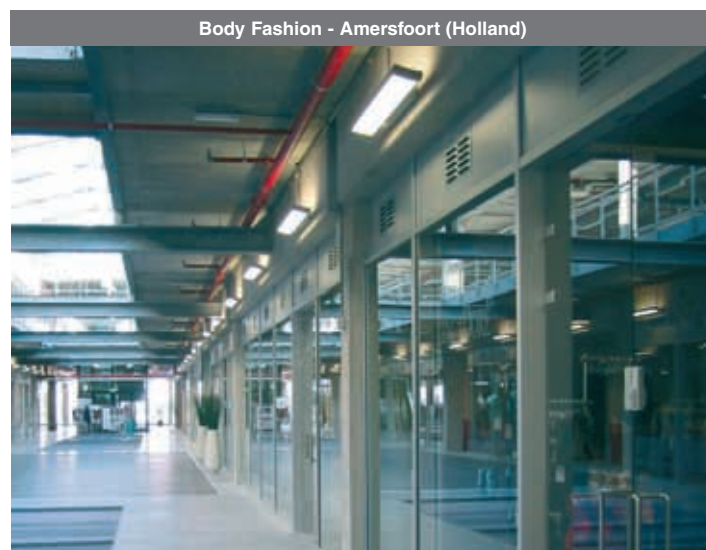
3631 Arco - T5 - wall version two-lamps						
		CELL		CELL-D		Lamp (Ta=25°C)
wattage	colour	weight	code	weight	code	Kelvin - ølm - Ra
FL 2x39	m. silver	3.00	145532-00	3.20	145532-52	4000K - 3100lm - Ra 1b
FL 2x54	m. silver	4.50	145533-00	4.70	145533-52	4000K - 4450lm - Ra 1b
FL 2x80	m. silver	5.00	145534-00	5.20	145534-52	4000K - 6150lm - Ra 1b
FL 2x39	white	3.00	145536-00	3.20	145536-52	4000K - 3100lm - Ra 1b
FL 2x54	white	4.50	145537-00	4.70	145537-52	4000K - 4450lm - Ra 1b
FL 2x80	white	5.00	145538-00	5.20	145538-52	4000K - 6150lm - Ra 1b



Other possibility: with acc. 354



Other possibility: with acc. 354



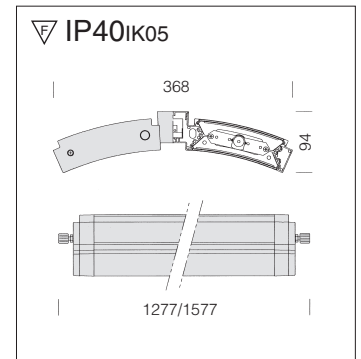
3/6 h

FL...
G5

CONSUMP-CELL = A2

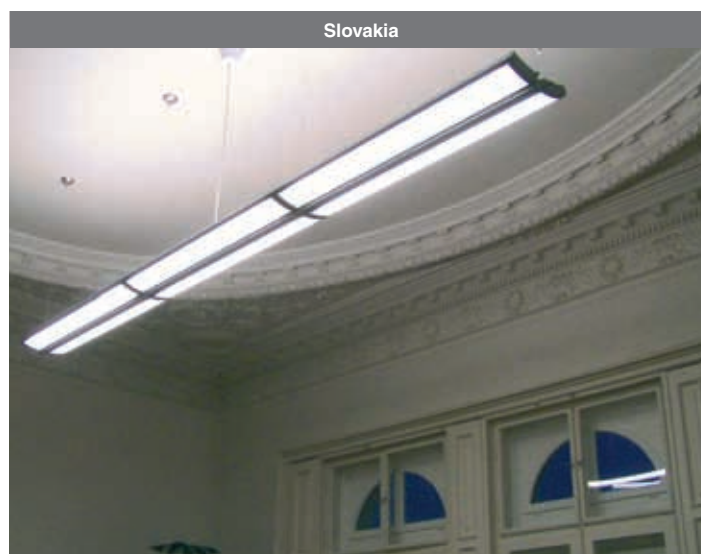
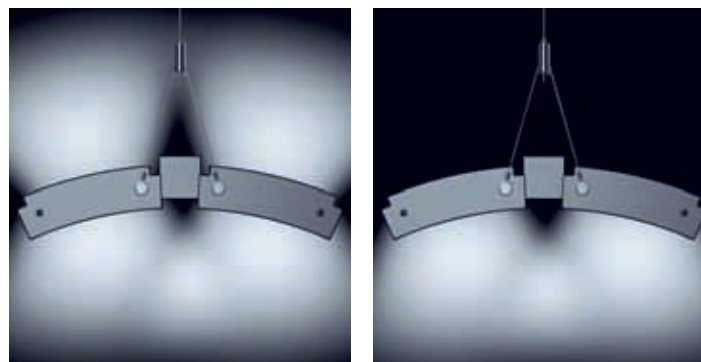
EFF =
upp. 37.0%
low. 38.0%
tot. 75.0%
e/h = 1
BZ = 6

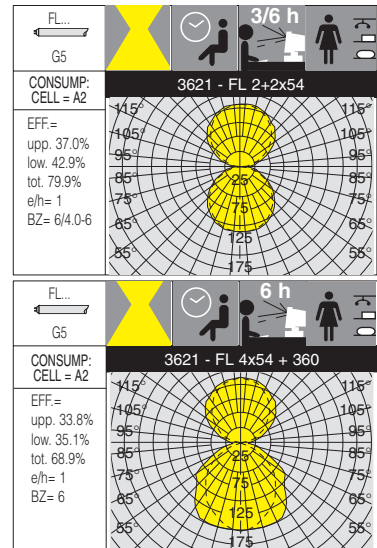
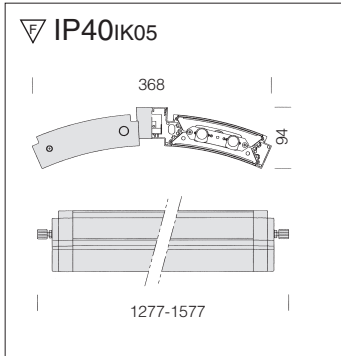
3620 - FL 1+1x54



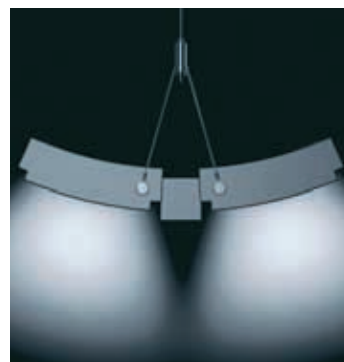
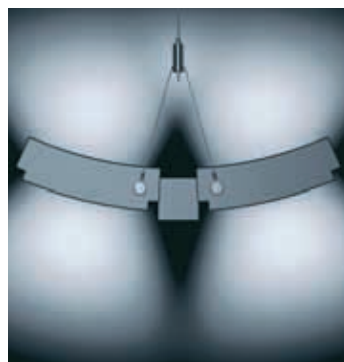
3620 Arco - T5 - double one-lamp

		CELL		CELL-D		Lamps (Ta=25°C)
wattage	colour	weight	code	weight	code	Kelvin - ølm - Ra
FL 1+1x54	m. silver	5.00	145422-00	5.20	145422-52	4000K - 4450lm - Ra 1b
FL 1+1x80	m. silver	6.00	145423-00	6.20	145423-52	4000K - 6150lm - Ra 1b
FL 1+1x54	white	5.00	145427-00	5.20	145427-52	4000K - 4450lm - Ra 1b
FL 1+1x80	white	6.00	145428-00	6.20	145428-52	4000K - 6150lm - Ra 1b





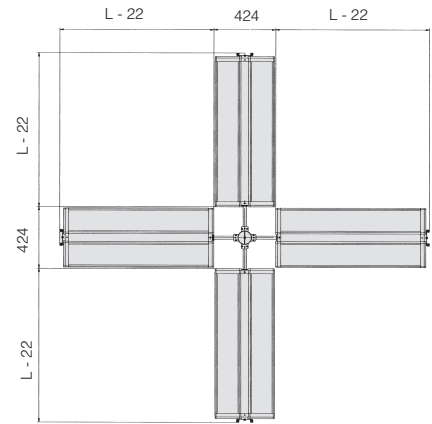
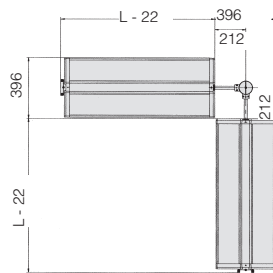
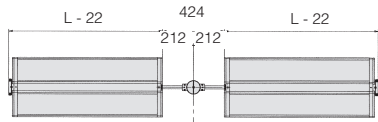
3621 Arco - T5 - double two-lamps						
		CELL		CELL-D		Lamps (Ta=25°C)
wattage	colour	weight	code	weight	code	Kelvin - ølm - Ra
FL 2+2x54	m. silver	7.00	145432-00	7.20	145432-52	4000K - 4450lm - Ra 1b
FL 2+2x80	m. silver	8.00	145433-00			4000K - 6150lm - Ra 1b
FL 2+2x54	white	7.00	145437-00	7.20	145437-52	4000K - 4450lm - Ra 1b
FL 2+2x80	white	8.00	145438-00			4000K - 6150lm - Ra 1b



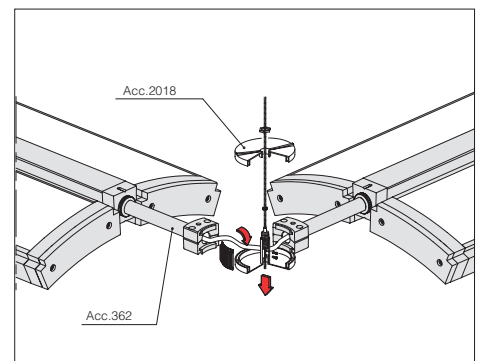
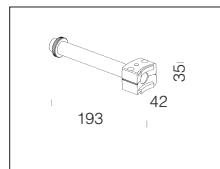
Applications with convex louvre accessory 359 to control glare more effectively. Complete with cable.

Applications with concave louvre accessory 360 to control glare more effectively only for the twin and wall-mounted version. To be used only in the versions providing direct/indirect light, where the upper part is supplied complete with a shield (to ensure improved cleaning and luminous performance).

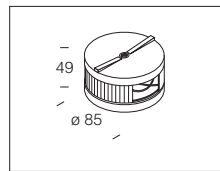
acc 362 joint + acc 2018 universal joint



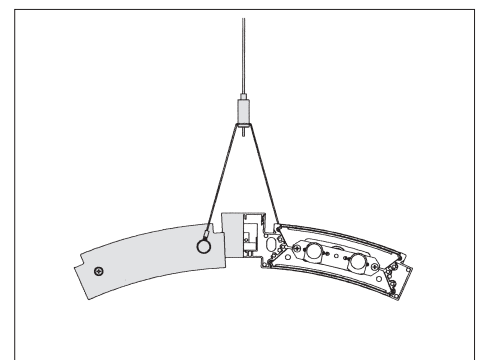
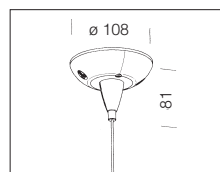
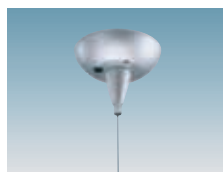
acc. 362 joint	
m. silver	145651
white	145652
To connect modules. Use with acc. 2018.	



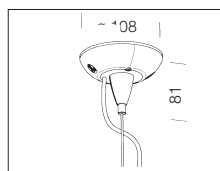
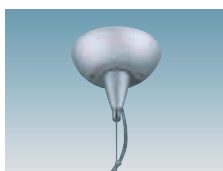
acc. 2018 joint universal	
m. silver	144521
white	144522
For suspension using Ø 10 rods or cable with adjustment device, and for connection and rotation between modules. Use with acc. 362.	



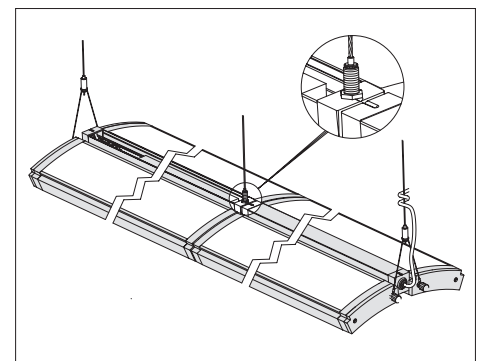
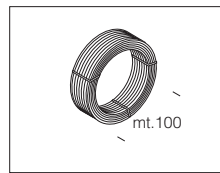
acc. 2507 suspension simple	
m. silver	994024
white	994026
Suspension unit including steel cable (175cm) with millimetre adjustment device. Max. load: 20 kg.	



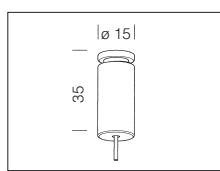
acc. 2509 suspension electrified	
m. silver	994023
white	994027
Suspension unit including steel cable (175 cm) with millimetre adjustment device and supply cable. Max. load: 20 kg.	



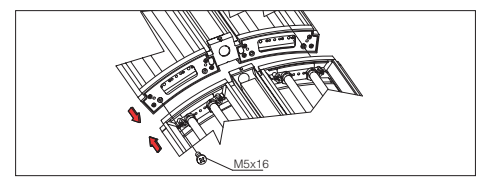
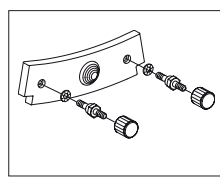
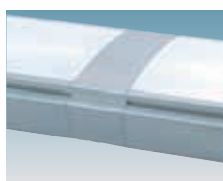
acc. 2512 wire	
steel	994018
Ø1,5 mm steel wire.	



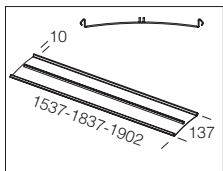
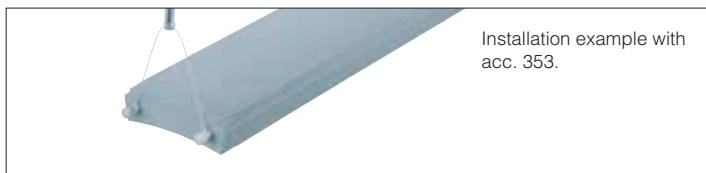
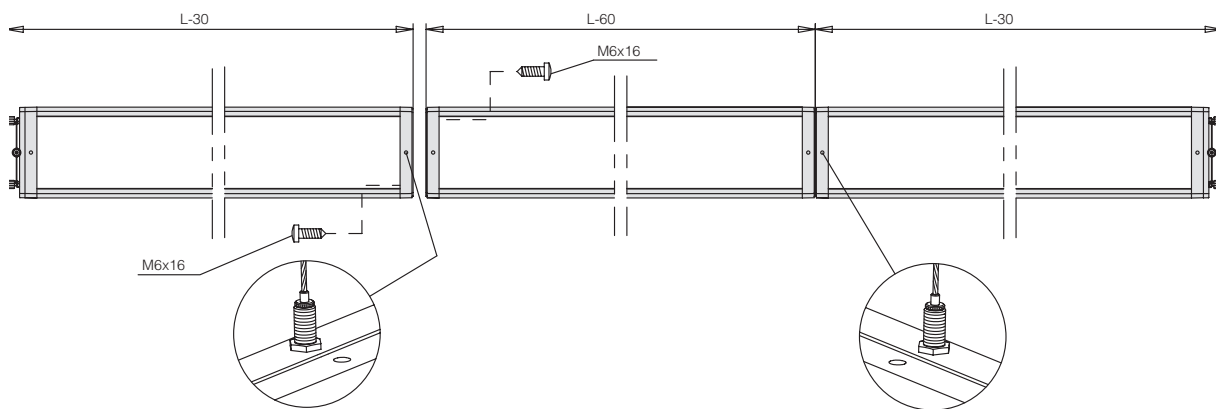
acc. 2518 suspension simple	
galvanised	994019
Suspension unit including steel cable, l.= 1.75m., with millimetre adjustment. Max load: 20 kgb.	



acc. 358	
m. silver	145577
white	145578
To be used only with articles 3610/11 in the version with sub-code -0072. To only use at the beginning and the end of the continuous line. Package containing 2 pieces.	

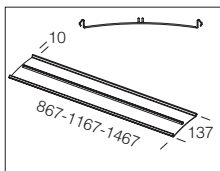


continuous line accessory 358 for special version of articles 3610/3611 with sub-code -0072



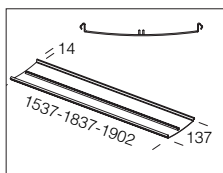
acc. 448 concave single cover	
54 m. silver	145586
54 white	145587
80 m. silver	145588
80 white	145589
80 bil. m. silver	145590
80 bil. white	145591

To be used when only indirect light is desired in single versions of Arco acc. 3610/11.
54 = 1537mm for art. 3610/3611
80 = 1838mm for art. 3610/3611
80 bil. = 1902mm for art. 3611



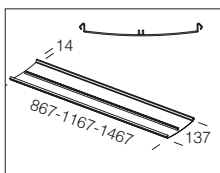
acc. 449 concave double cover	
39 m. silver	145592
39 white	145593
54 m. silver	145594
54 white	145595
80 m. silver	145596
80 white	145597

To be used when only indirect light is desired in versions of Arco art. 3620/21 double and for art. 3630/31 wall-mounting.
39 = 867mm per art. 3630/3631
54 = 1168mm per art. 3620/3621
80 = 1467mm per art. 3620/3621



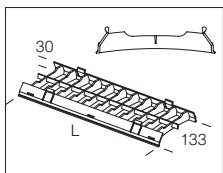
acc. 353 convex single cover	
54 m. silver	145500
54 white	145501
80 m. silver	145502
80 white	145503
80 bil. m. silver	145504
80 bil. white	145505

To be used when only indirect light is desired in single versions of Arco acc. 3610/11.
54 = 1537mm for art. 3610/3611
80 = 1838mm for art. 3610/3611
80 bil. = 1902mm for art. 3611



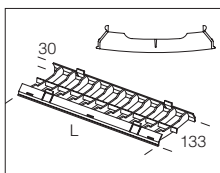
acc. 354 double channel cover	
39 m. silver	145508
39 white	145509
54 m. silver	145510
54 white	145511
80 m. silver	145512
80 white	145513

To be used only if indirect light is required in the Arco versions for article 3620/21 twin and for article 3630/31 wall-mounting.
39 = 867mm for art. 3630/3631
54 = 1168mm for art. 3620/3621
80 = 1467mm for art. 3620/3621



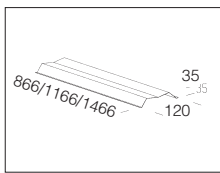
acc. 360 concave louvre	
54W	145583
80W	145584

With a satin finish ABS V0. Complete package to cover the full length of the lamp.



acc. 359 convex louvre	
39	145579
54	145580
80	145581

With a satin finish ABS V0. Complete package to cover the full length of the lamp.



acc. 336 Reflector single direct/indirect light	
39	145569
54	145561
80	145562

To use in the cases emission of single direct light is wanted to be obtained.

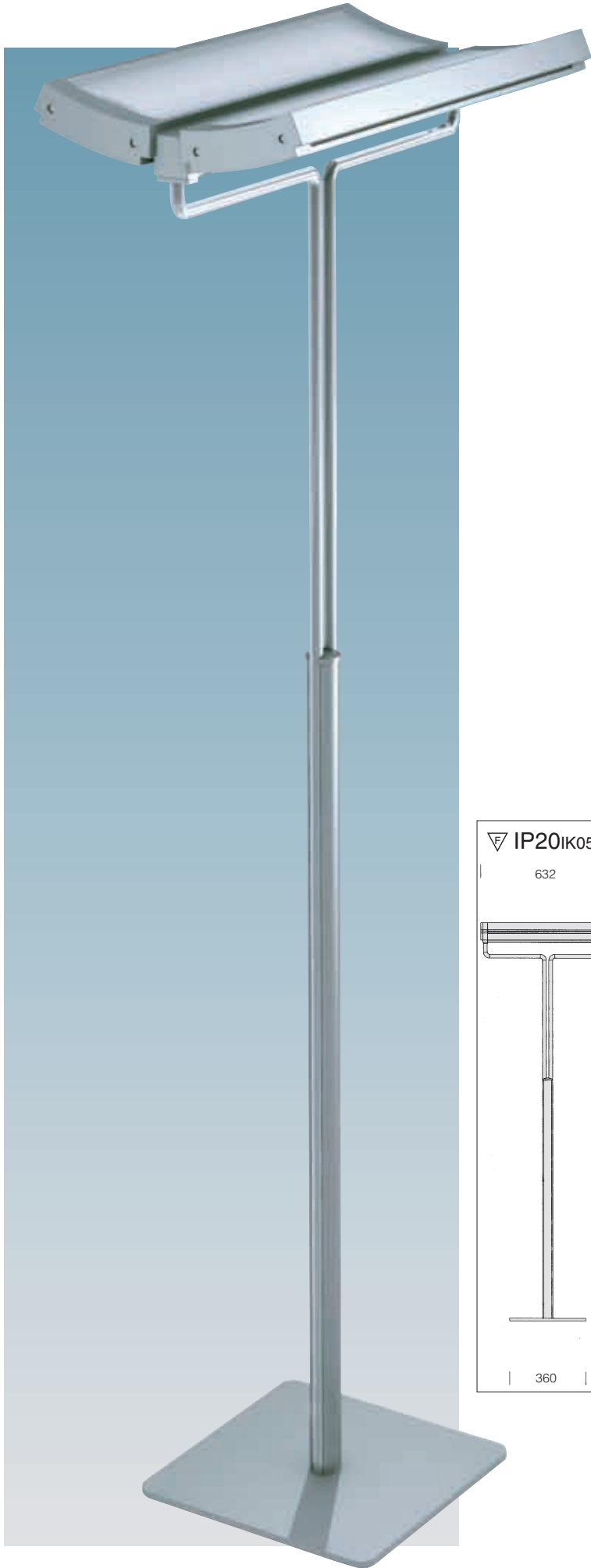
Housing: extruded aluminium with die-cast end caps.

Base: made in steel.

Supports: stainless steel tubes.

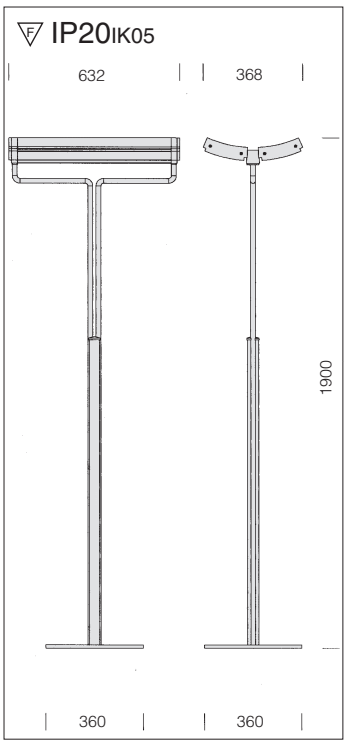
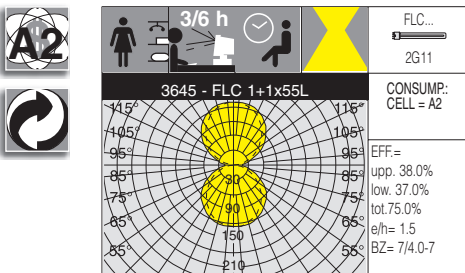
Coating: powder-coated with UV-stabilised polyester paint.

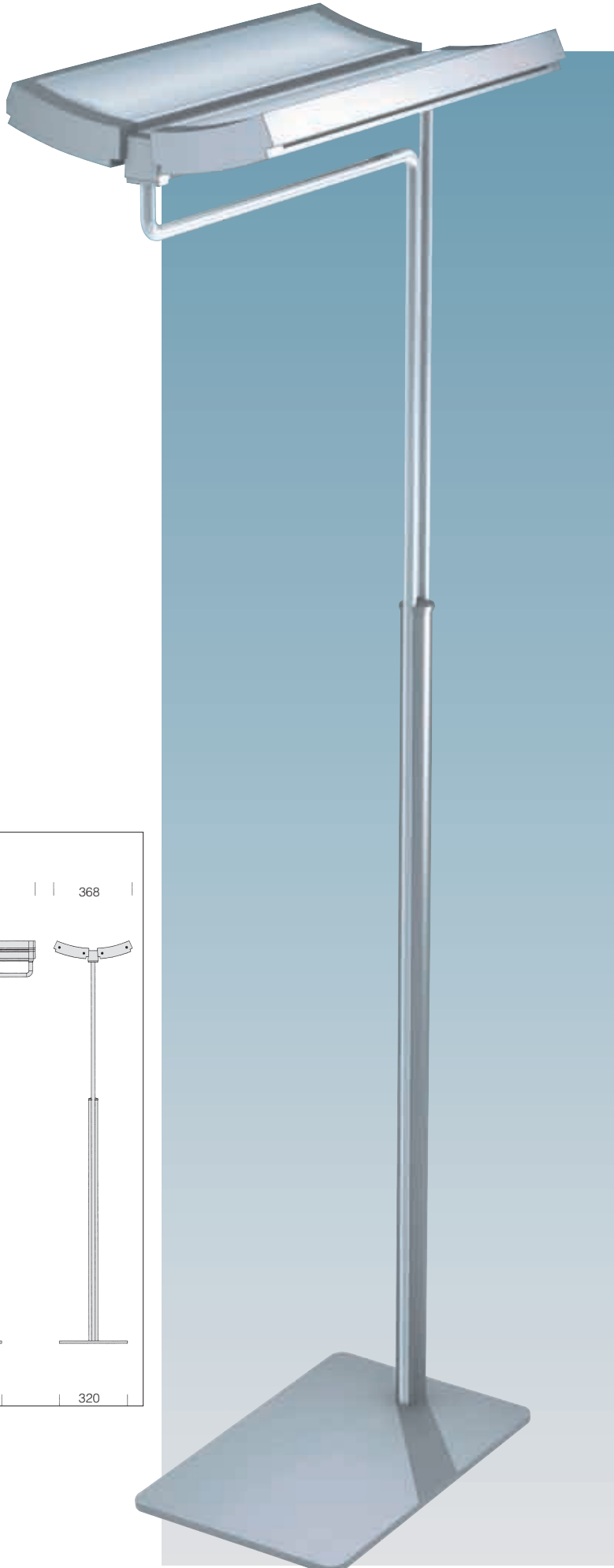
Electric gear: 230-240V/-50-60Hz power supply



3645 Arco - T5 - floor version A			
		CELL	
wattage	colour	weight	code
FLC 1+1x55L	m. silver	9.00	145540-00
FLC 1+1x55L	white	9.00	145542-00

Version complete with cable fitted with 'schuko' plug and switch.





Housing: extruded aluminium with die-cast end caps.

Base: made in steel.

Supports: stainless steel tubes.

Coating: powder-coated with UV-stabilised polyester paint.

Electric gear: 230-240V/-50-60Hz power supply

3646 Arco - T5 - floor version B			
		CELL	
wattage	colour	weight	code
FLC 1+1x55L	m. silver	9.00	145541-00
FLC 1+1x55L	white	9.00	145543-00

Version complete with cable fitted with 'schuko' plug and switch.

